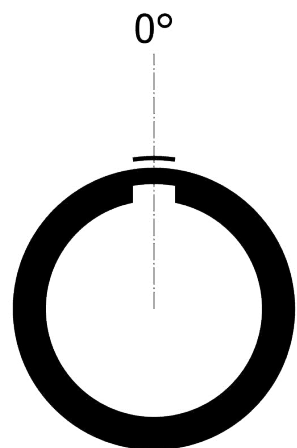
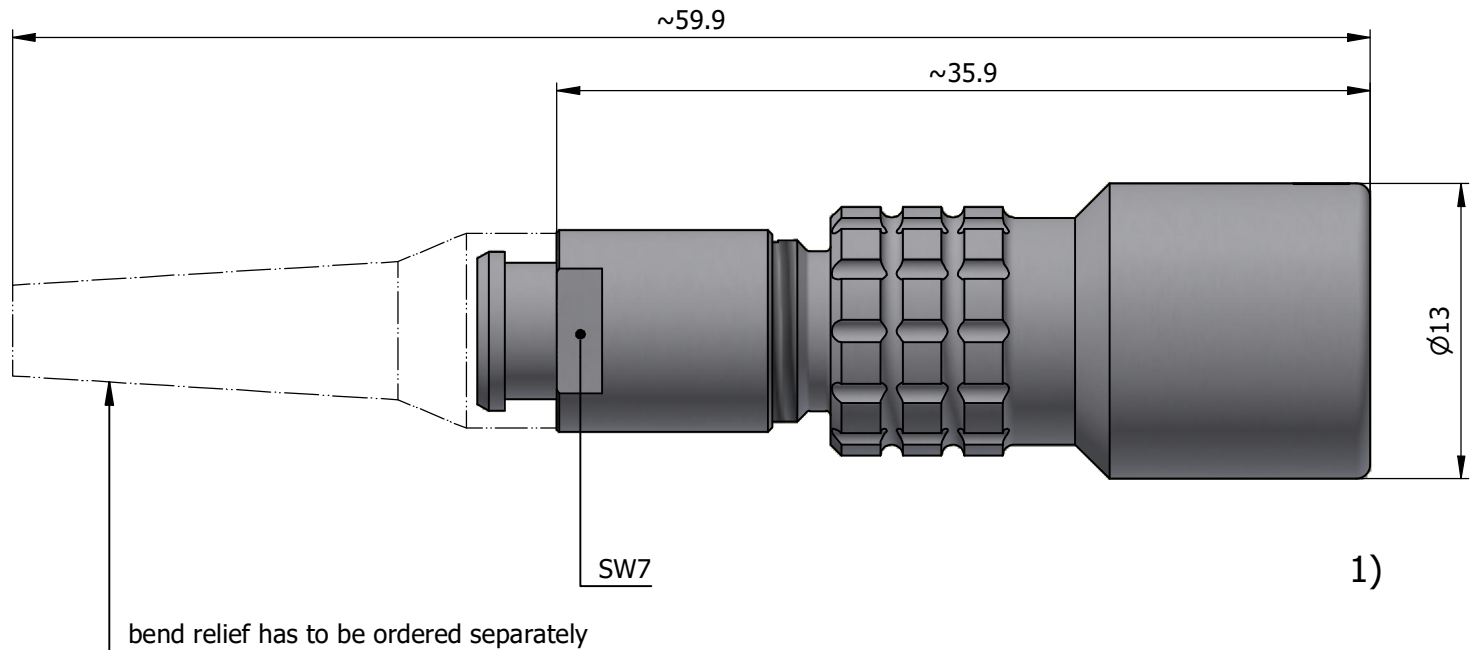
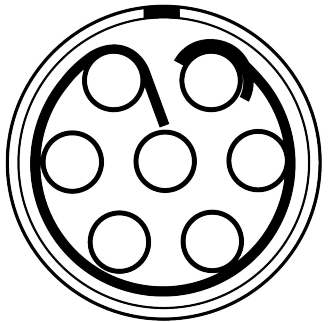


All dimensions are in millimeters (mm)

Alignment Key  
Front View



Insert Configuration  
Rear View



**Note:**

1) This picture is generic and for illustrative purposes only, and may show different keying, materials, colour, finish, and contact configuration. Minor shape or feature variations to actual item may be present.

All additional information are documented on the datasheet (See below link or QR Code)  
[www.lemo.com/pdf/PHG.0K.307.CLLC45Z.pdf](http://www.lemo.com/pdf/PHG.0K.307.CLLC45Z.pdf)

Model	Alignment Key	Series	Insert Config.	Housing	Insulator	Contact	Collet Type	Cable Ø	Variant
PHG	.0K	.307	.CLLC	45Z					

<p>Datasheet</p>	<p><b>Free socket, cable collet and nut for fitting a bend relief</b></p> <p>Series 0K</p>		<p>Drawn 19.12.2024 MARI/MARI</p>
			<p>Checked 19.12.2024 OBAR</p>
			<p>Modified 00 19.12.2024/MARI</p>
			<p>DO NOT SCALE DRAWING</p>
<p> LEMO SA Chemin des Champs-Courbes 28 1024 Ecublens - SWITZERLAND</p>		<p>Tel. (+41 21) 695 16 00 email : info@lemo.com www.lemo.com</p>	<p>CD</p>
			<p><b>PHG.0K.307.CLLC45Z</b></p>