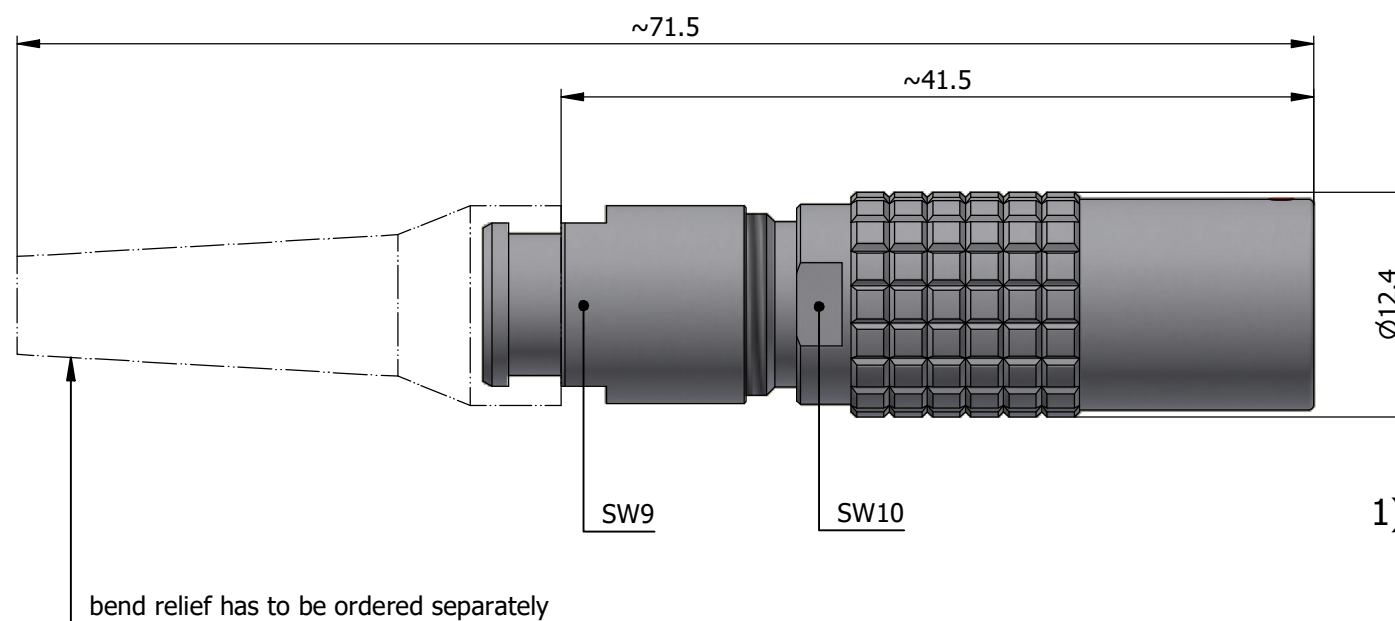
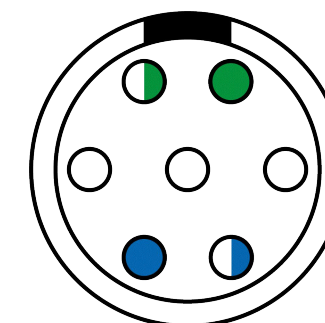


All dimensions are in millimeters (mm)

Alignment Key
Front View



Insert Configuration
Rear View



Note:

1) This picture is generic and for illustrative purposes only, and may show different keying, materials, colour, finish, and contact configuration. Minor shape or feature variations to actual item may be present.

All additional information are documented on the datasheet (See below link or QR Code)
www.lemo.com/pdf/PHG.1B.512.CTLD52Z.pdf

PRELIMINARY

L0-L1-L2 Status
 Drawing subject to change

Model Alignment Key Series Insert Config. Housing Insulator Contact Collet Type Cable Ø Variant
PHG.1B.512.CTLD52Z

Datasheet



Free socket, cable collet and nut for fitting a bend relief

Series 1B

LEMO LEMO SA
 Chemin des Champs-Courbes 28
 1024 Ecublens - SWITZERLAND

Tel. (+41 21) 695 16 00
 email : info@lemo.com
 www.lemo.com

CD

Drawn	02.11.2022	MARI/MARI
Checked	22.01.2026	OBAR
Modified	02	22.01.2026/MARI
DO NOT SCALE DRAWING		

PHG.1B.512.CTLD52Z