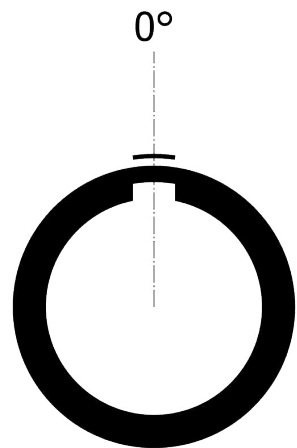
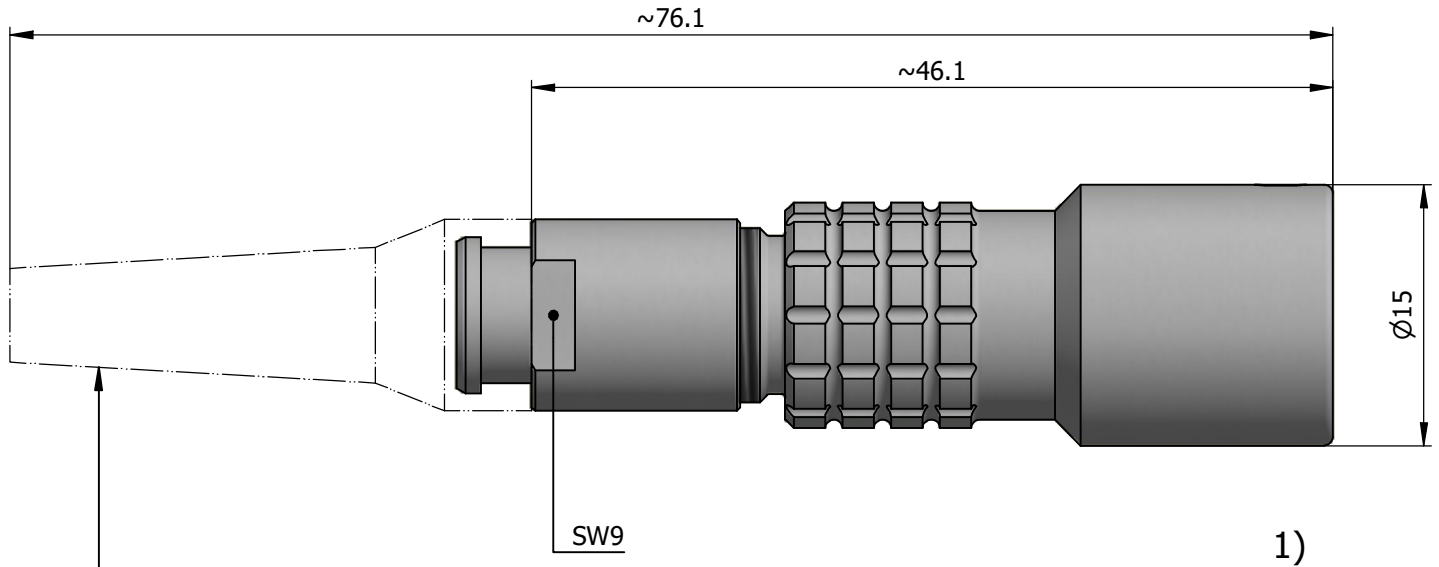
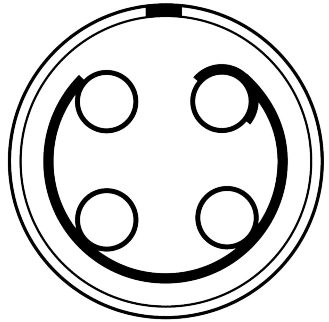


All dimensions are in millimeters (mm)

Alignment Key
Front View



Insert Configuration
Rear View



bend relief has to be ordered separately

Note:

1) This picture is generic and for illustrative purposes only, and may show different keying, materials, colour, finish, and contact configuration. Minor shape or feature variations to actual item may be present.

All additional information are documented on the datasheet (See below link or QR Code)
www.lemo.com/pdf/PHG.1K.304.CYMC50Z.pdf

| | | | | | | | | | |
|-------|---------------|--------|----------------|---------|-----------|---------|-------------|---------|---------|
| Model | Alignment Key | Series | Insert Config. | Housing | Insulator | Contact | Collet Type | Cable Ø | Variant |
| PHG | .1K | .304 | .CYMC50Z | | | | | | |

| | | | |
|------------------|---|----------------------------------|------------------------------------|
| <p>Datasheet</p> | <p>Free socket, cable collet and nut for fitting a bend relief</p> | | <p>Drawn 19.12.2024 MARI/MARI</p> |
| | <p>Series 1K</p> | | <p>Checked 19.12.2024 OBAR</p> |
| | <p>LEMO SA Chemin des Champs-Courbes 28 1024 Ecublens - SWITZERLAND</p> | | <p>Modified 00 19.12.2024/MARI</p> |
| | <p>Tel. (+41 21) 695 16 00 email : info@lemo.com www.lemo.com</p> | | <p>DO NOT SCALE DRAWING</p> |
| <p>CD</p> | | <p>PHG.1K.304.CYMC50Z</p> | |