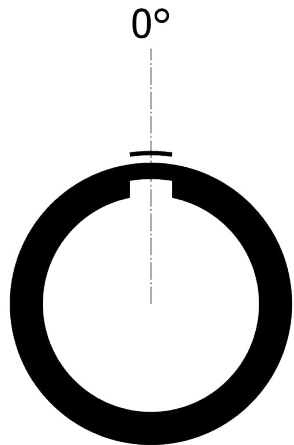
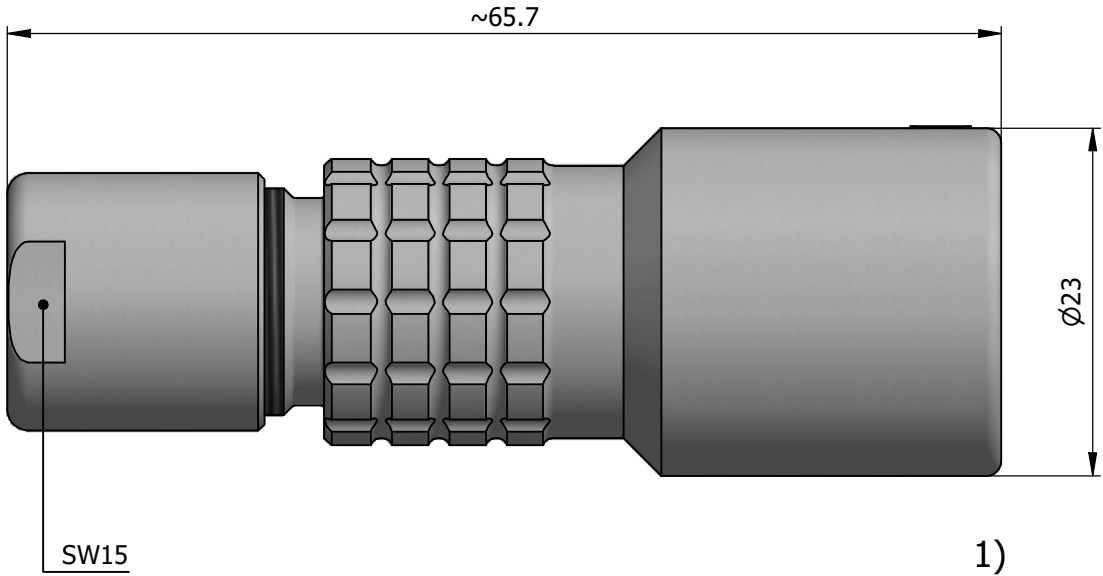
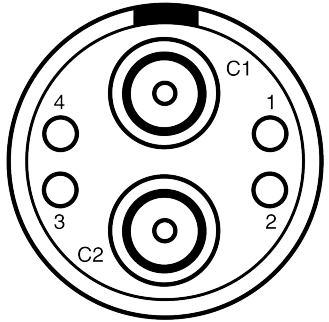


All dimensions are in millimeters (mm)

Alignment Key  
Front View



Insert Configuration  
Rear View



**Note:**

1) This picture is generic and for illustrative purposes only, and may show different keying, materials, colour, finish, and contact configuration. Minor shape or feature variations to actual item may be present.

All additional information are documented on the datasheet (See below link or QR Code)  
[www.lemo.com/pdf/PHG.3K.844.CLLC111.pdf](http://www.lemo.com/pdf/PHG.3K.844.CLLC111.pdf)

|       |               |        |                |         |           |         |             |         |         |
|-------|---------------|--------|----------------|---------|-----------|---------|-------------|---------|---------|
| Model | Alignment Key | Series | Insert Config. | Housing | Insulator | Contact | Collet Type | Cable Ø | Variant |
| PHG   | .3K           | .844   | .CLLC          | 111     |           |         |             |         |         |

Datasheet



**Free socket, cable collet**

Series 3K



LEMO SA  
 Chemin des Champs-Courbes 28  
 1024 Ecublens - SWITZERLAND

Tel. (+41 21) 695 16 00  
 email : info@lemo.com  
 www.lemo.com

CD

|                      |            |                   |
|----------------------|------------|-------------------|
| Drawn                | 19.12.2024 | MARI / MARI       |
| Checked              | 19.12.2024 | OBAR              |
| Modified             | 00         | 19.12.2024 / MARI |
| DO NOT SCALE DRAWING |            |                   |

**PHG.3K.844.CLLC111**