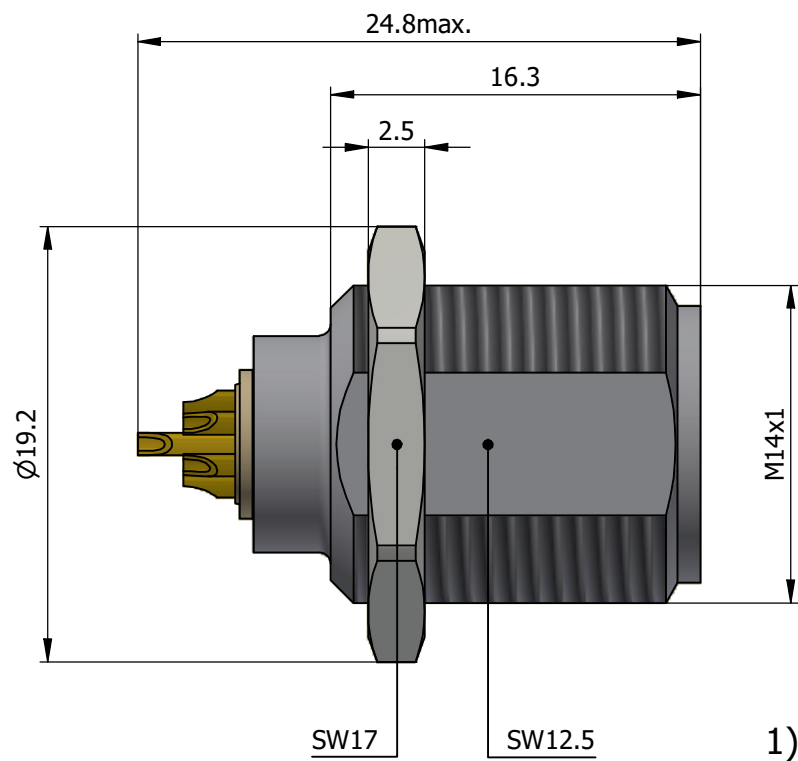
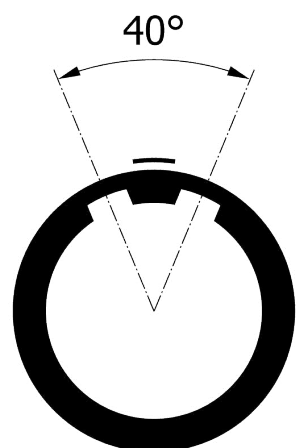
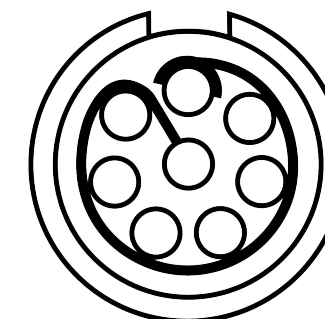


All dimensions are in millimeters (mm)

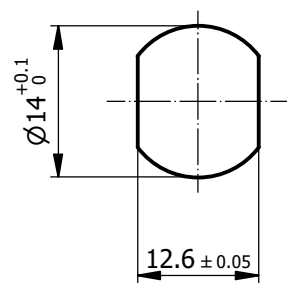
Alignment Key  
Front View



Insert Configuration  
Rear View



Recommended Panel Cut-Out



Mounting nut torque (Nm)  
Plastic shell = 1.5

**Note:**

1) This picture is generic and for illustrative purposes only, and may show different keying, materials, colour, finish, and contact configuration. Minor shape or feature variations to actual item may be present.

All additional information are documented on the datasheet (See below link or QR Code)  
[www.lemo.com/pdf/PKA.M0.8SL.LZ.pdf](http://www.lemo.com/pdf/PKA.M0.8SL.LZ.pdf)

Model Alignment Key Insert Config. Housing Insulator Contact Front Nut Color  
**PKA.M0.8SL.LZ**

Datasheet



**Fixed socket, without front nut (back panel mounting)**  
Series 1P

**LEMO**  
LEMO SA  
Chemin des Champs-Courbes 28  
1024 Ecublens - SWITZERLAND

Tel. (+41) 21 695 16 00  
email : info@lemo.com  
www.lemo.com

CD

Drawn	12.04.2023	MARI / MARI
Checked	02.12.2024	OBAR
Modified	01	02.12.2024 / JMIG
DO NOT SCALE DRAWING		

**PKA.M0.8SL.LZ**