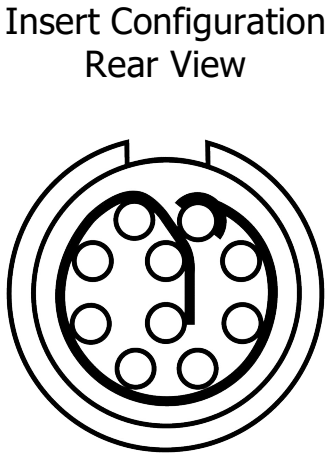
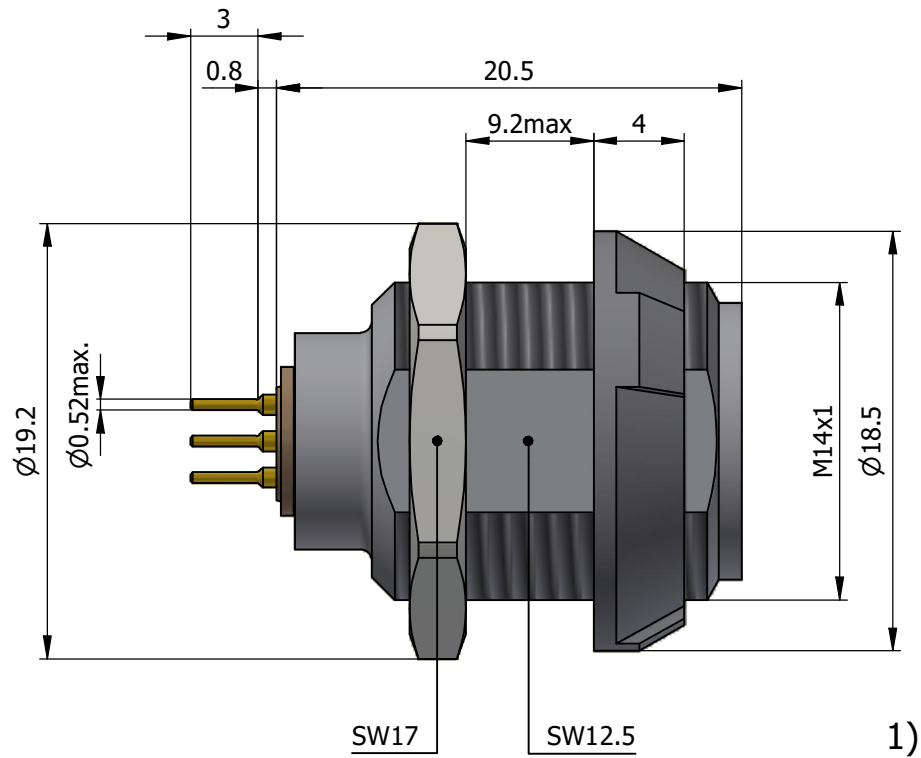
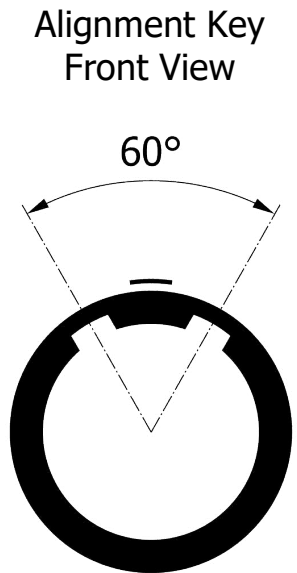
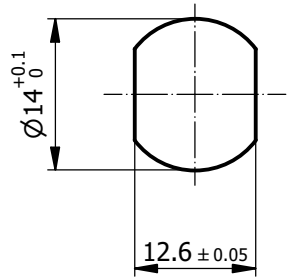


All dimensions are in millimeters (mm)

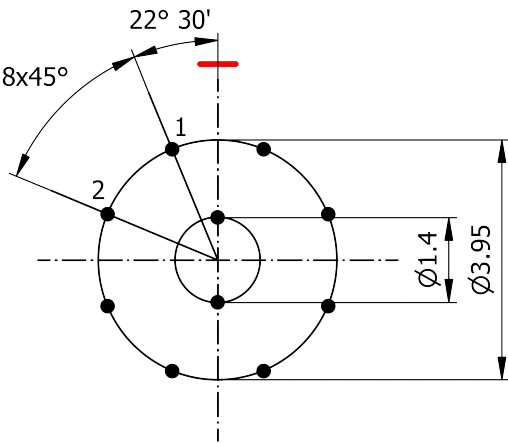


Recommended Panel Cut-Out



Mounting nut torque (Nm)
Plastic shell = 1.5

Recommended PCB Layout
PCB Top View





Note:

1) This picture is generic and for illustrative purposes only, and may show different keying, materials, colour, finish, and contact configuration. Minor shape or feature variations to actual item may be present.

All additional information are documented on the datasheet (See below link or QR Code)
www.lemo.com/pdf/PKB.M1.OGL.NN.pdf

Model Alignment Key Insert Config. Housing Insulator Contact Front Nut Color
PKB.M1.OGL.NN

 Datasheet	Fixed socket, with two nuts, for PCB (back panel mounting) Series 1P		Drawn 05.04.2023 MARI/MARI
			Checked 19.01.2026 OBAR
			Modified 01 19.01.2026/MARI
			DO NOT SCALE DRAWING
 LEMO SA Chemin des Champs-Courbes 28 1024 Ecublens - SWITZERLAND		Tel. (+41) 21 695 16 00 email : info@lemo.com www.lemo.com	CD
			PKB.M1.OGL.NN