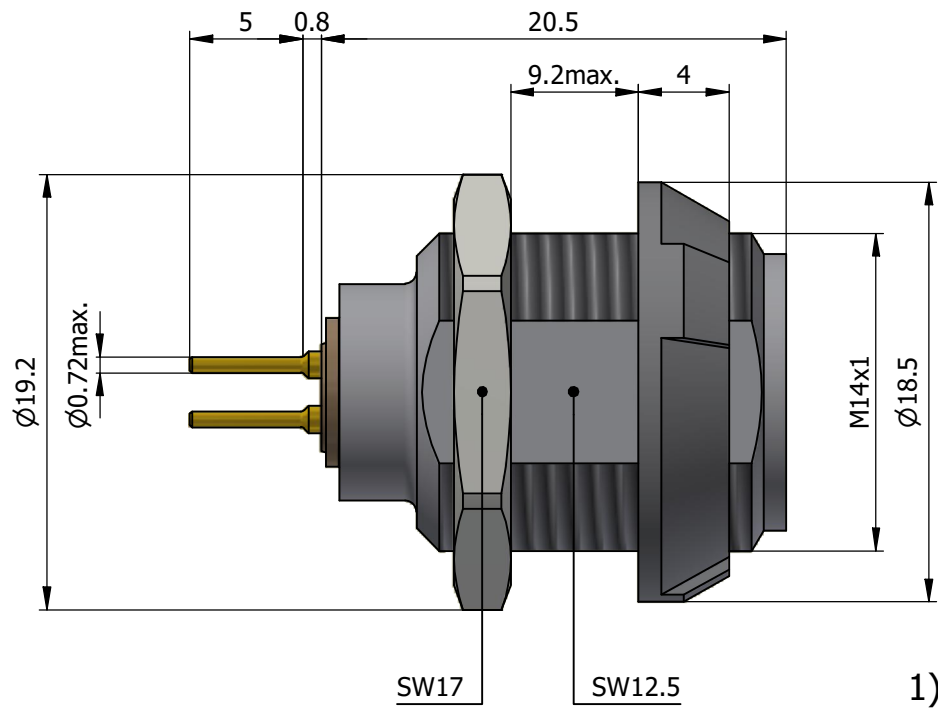
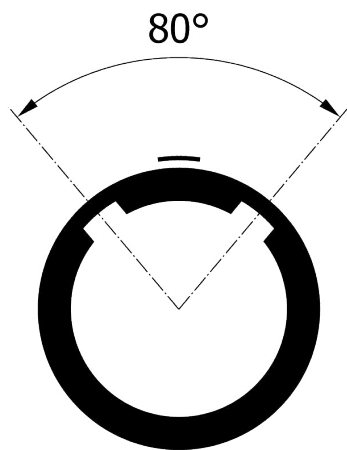
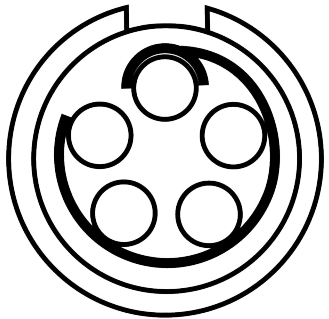


All dimensions are in millimeters (mm)

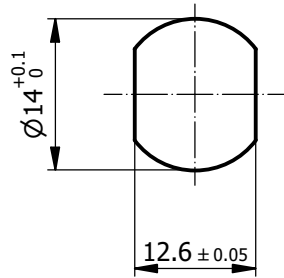
Alignment Key
Front View



Insert Configuration
Rear View

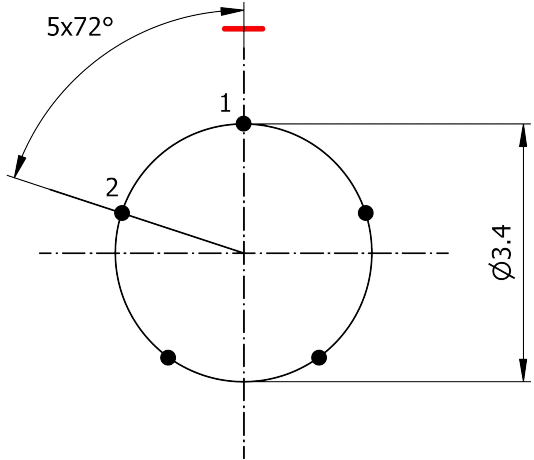


Recommended Panel Cut-Out



Mounting nut torque (Nm)
Plastic shell = 1.5

Recommended PCB Layout
PCB Top View



Note:

1) This picture is generic and for illustrative purposes only, and may show different keying, materials, colour, finish, and contact configuration. Minor shape or feature variations to actual item may be present.

All additional information are documented on the datasheet (See below link or QR Code)
www.lemo.com/pdf/PKC.M0.5GL.NV.pdf

Model Alignment Key Insert Config. Housing Insulator Contact Front Nut Color
PKC.M0.5GL.NV

<p>Datasheet</p>	<p>Fixed socket, with two nuts, for PCB (back panel mounting)</p> <p>Series 1P</p>		<p>Drawn 05.04.2023 MARI/MARI</p>
			<p>Checked 19.01.2026 OBAR</p>
			<p>Modified 01 19.01.2026/MARI</p>
			<p>DO NOT SCALE DRAWING</p>
<p>LEMO SA Chemin des Champs-Courbes 28 1024 Ecublens - SWITZERLAND</p>		<p>Tel. (+41) 21 695 16 00 email : info@lemo.com www.lemo.com</p>	<p>CD</p>
			<p>PKC.M0.5GL.NV</p>