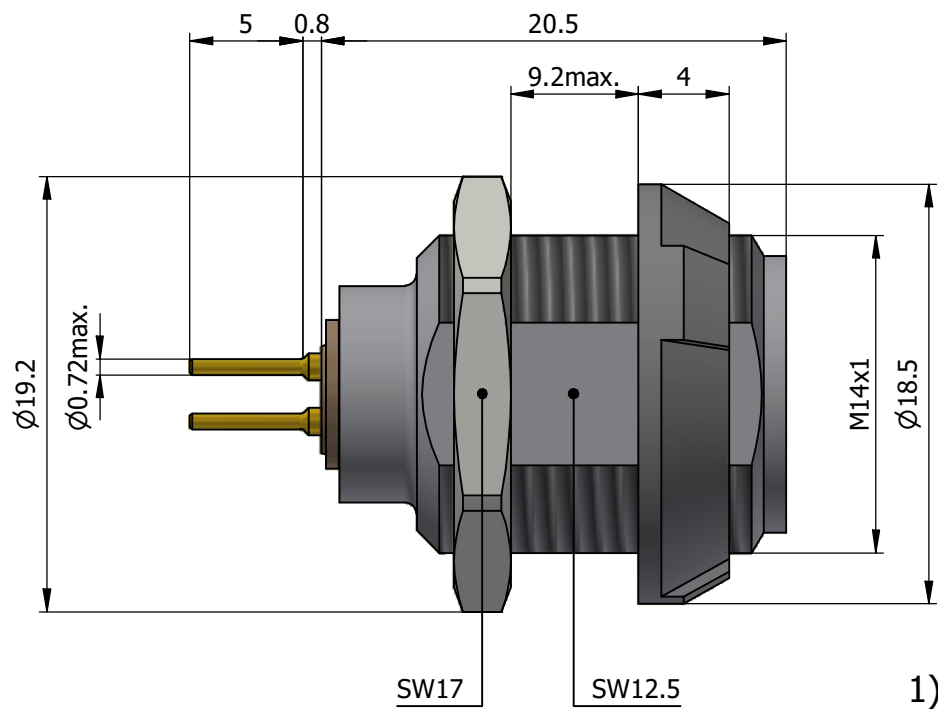
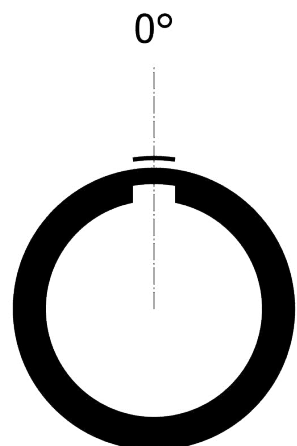
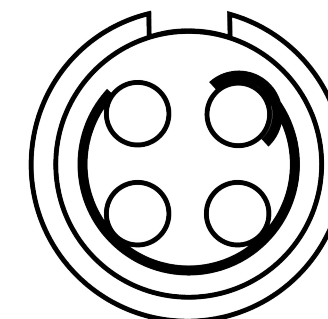


All dimensions are in millimeters (mm)

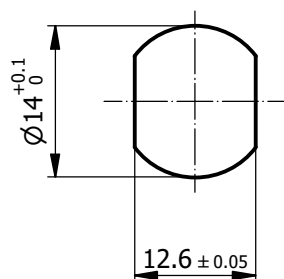
Alignment Key  
Front View



Insert Configuration  
Rear View

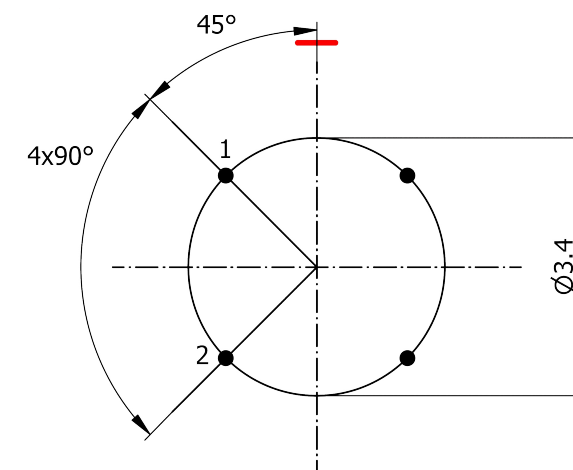


Recommended Panel Cut-Out



Mounting nut torque (Nm)  
Plastic shell = 1.5

Recommended PCB Layout  
PCB Top View



**Note:**

1) This picture is generic and for illustrative purposes only, and may show different keying, materials, colour, finish, and contact configuration. Minor shape or feature variations to actual item may be present.

All additional information are documented on the datasheet (See below link or QR Code)  
[www.lemo.com/pdf/PKG.M0.4GL.NV.pdf](http://www.lemo.com/pdf/PKG.M0.4GL.NV.pdf)

Model Alignment Key Insert Config. Housing Insulator Contact Front Nut Color  
**PKG.M0.4GL.NV**

Datasheet



**Fixed socket, with two nuts, for PCB (back panel mounting)**

Series 1P

**LEMO** LEMO SA  
Chemin des Champs-Courbes 28  
1024 Ecublens - SWITZERLAND

Tel. (+41) 21 695 16 00  
email : [info@lemo.com](mailto:info@lemo.com)  
[www.lemo.com](http://www.lemo.com)

CD

Drawn	05.04.2023	MARI / MARI
Checked	19.01.2026	OBAR
Modified	02	19.01.2026 / MARI
DO NOT SCALE DRAWING		

**PKG.M0.4GL.NV**