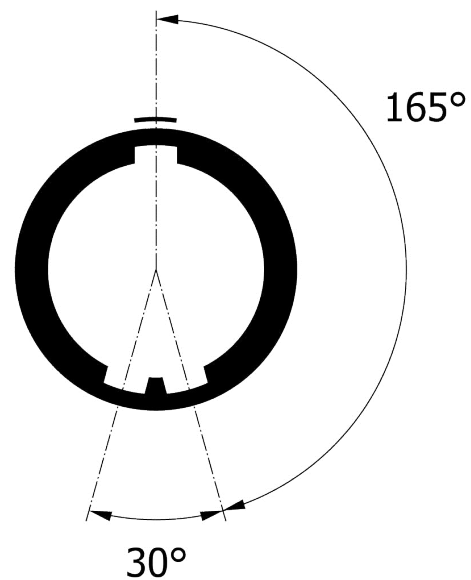
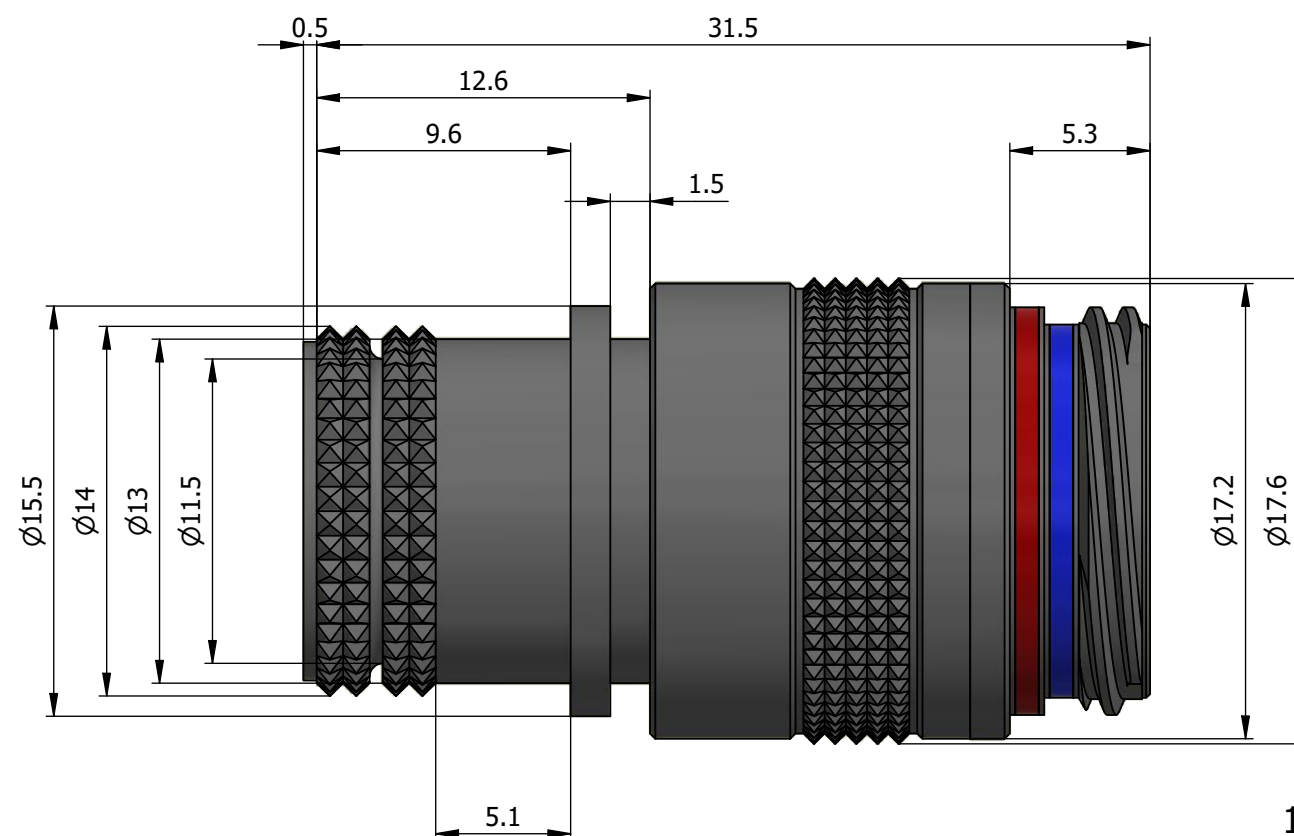
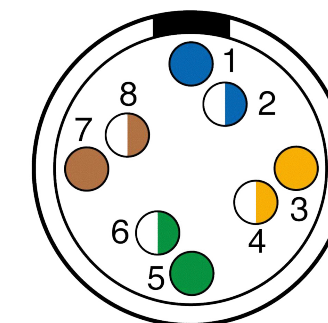


All dimensions are in millimeters (mm)

Alignment Key
Front View



Insert Configuration
Rear View



Note:

1) This picture is generic and for illustrative purposes only, and may show different keying, materials, colour, finish, and contact configuration. Minor shape or feature variations to actual item may be present.

All additional information are documented on the datasheet (See below link or QR Code)
www.lemo.com/pdf/PMN.2M.514.XLMT7.pdf

Model	Alignment Key	Series	Insert Config.	Housing	Insulator	Contact	Variant	Cable ϕ
PMN		2M	514	XL	MT	7		

Datasheet



Fixed socket, with knurled grip and mold stop
 Series 2M

LEMO
 LEMO SA
 Chemin des Champs-Courbes 28
 1024 Ecublens - SWITZERLAND

Tel. (+41 21) 695 16 00
 email : info@lemo.com
 www.lemo.com

CD

Drawn	25.04.2017	OVU / NHA
Checked	28.10.2022	MARI
Modified	01	28.10.2022 / MARI
DO NOT SCALE DRAWING		

PMN.2M.514.XLMT7