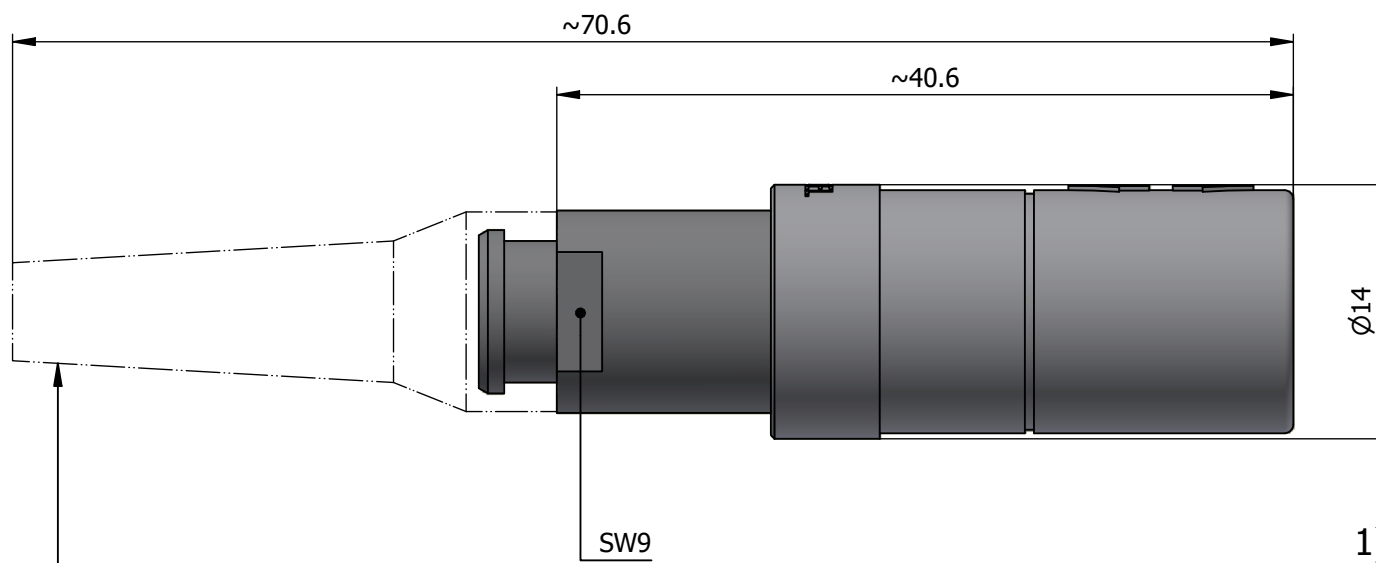
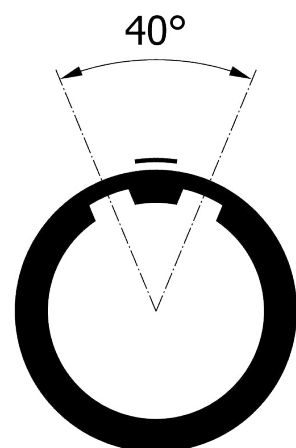


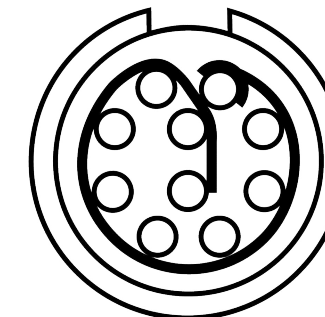
All dimensions are in millimeters (mm)

Alignment Key
Front View



bend relief has to be ordered separately

Insert Configuration
Rear View



Note:

1) This picture is generic and for illustrative purposes only, and may show different keying, materials, colour, finish, and contact configuration. Minor shape or feature variations to actual item may be present.

All additional information are documented on the datasheet (See below link or QR Code)
www.lemo.com/pdf/PRA.M1.OGL.LC39GZ.pdf

Model	Alignment Key	Insert Config.	Housing Insulator	Contact Collet Type	Cable Ø	Collet Nut Color Variant
PRA	.M1	.OGL	.LC39GZ			

Datasheet



Free socket, cable collet and nut for fitting a bend relief
 Series 1P



Redel SA
 Rue du canal 2
 1450 Ste-Croix - SWITZERLAND

Tel. (+41 24) 455 25 00
 Fax. (+41 24) 455 25 01

CD

Drawn	19.08.2024	MARI / MARI
Checked	19.08.2024	OBAR
Modified	00	19.08.2024 / MARI
DO NOT SCALE DRAWING		

PRA.M1.OGL.LC39GZ