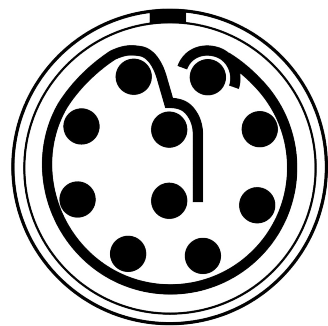
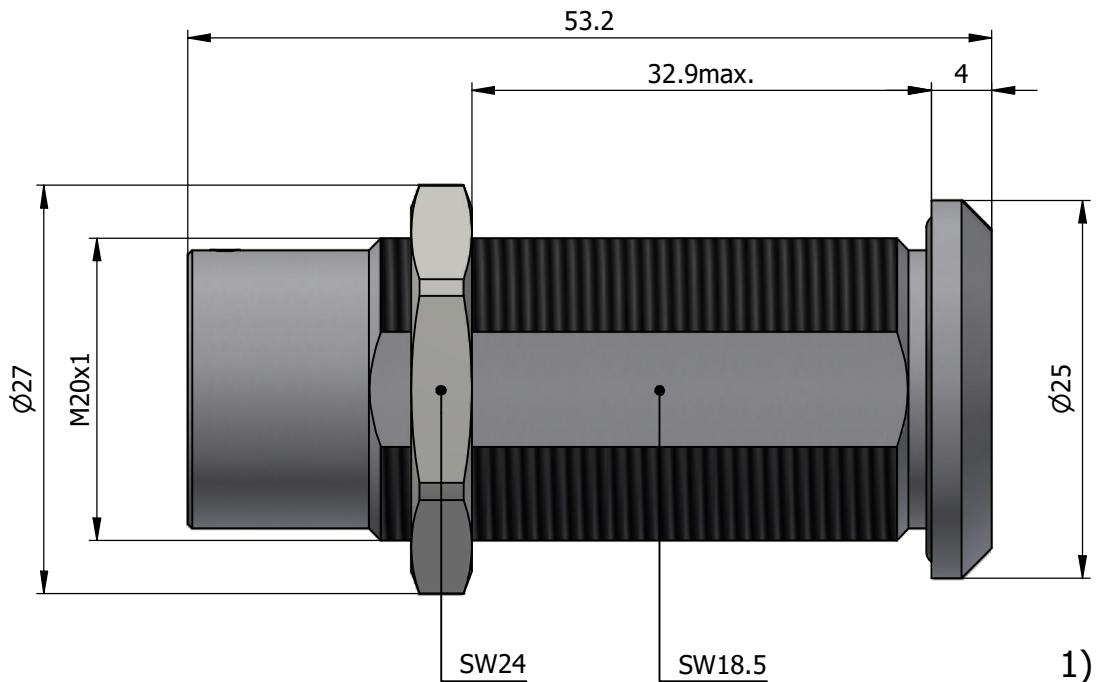
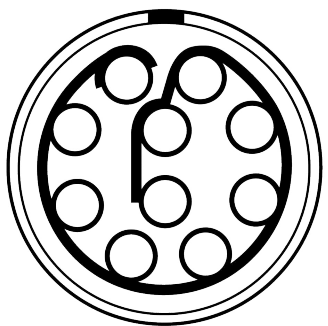


All dimensions are in millimeters (mm)

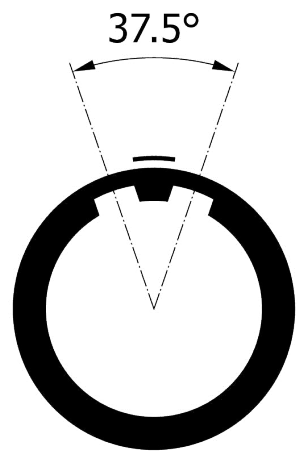
Insert Configuration
Front View



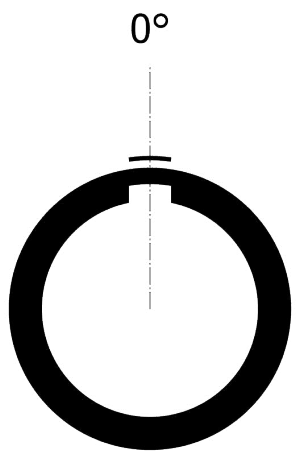
Insert Configuration
Rear View



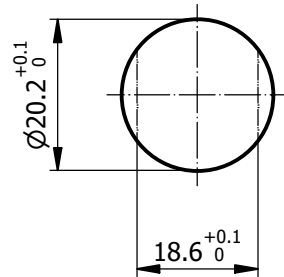
Alignment Key
Front View



Alignment Key
Rear View



Recommended Panel Cut-Out



Mounting nut torque (Nm)
Metal shell = 9.0
Plastic shell = 1.0

Note:

1) This picture is generic and for illustrative purposes only, and may show different keying, materials, colour, finish, and contact configuration. Minor shape or feature variations to actual item may be present.

All additional information are documented on the datasheet (See below link or QR Code)
www.lemo.com/pdf/SJG.3B.310.CLAPV.pdf

Model Alignment Key Series Insert Config. Housing Insulator Contact Variant
SJG.3B.310.CLAPV

<p>Datasheet</p>	<p>Fixed coupler, nut fixing</p> <p>Series 3B</p>		<p>Drawn 18.12.2024 MARI/MARI</p>
	<p> LEMO SA Chemin des Champs-Courbes 28 1024 Ecublens - SWITZERLAND</p>		<p>Checked 18.12.2024 OBAR</p>
	<p>Tel. (+41 21) 695 16 00 email : info@lemo.com www.lemo.com</p>		<p>Modified 00 18.12.2024/MARI</p>
	<p>CD</p>		<p>DO NOT SCALE DRAWING</p>
<p>SJG.3B.310.CLAPV</p>			