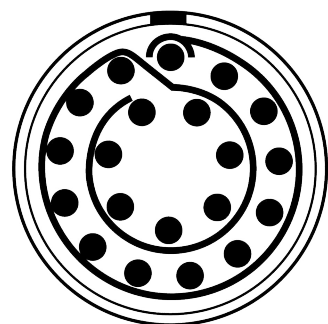
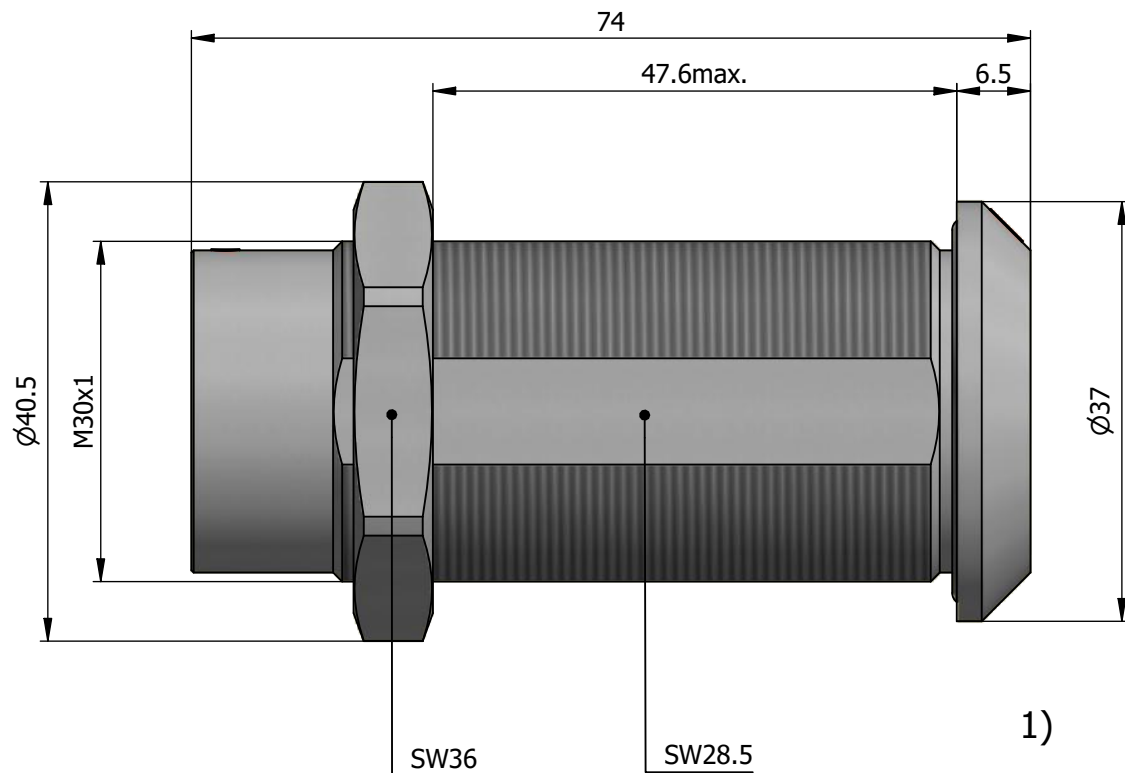
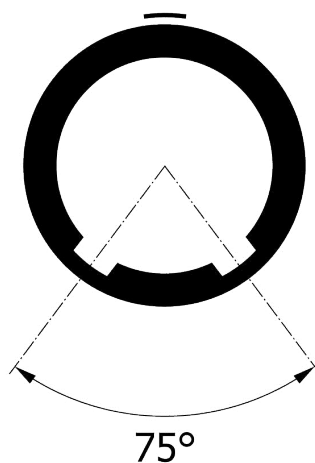


All dimensions are in millimeters (mm)

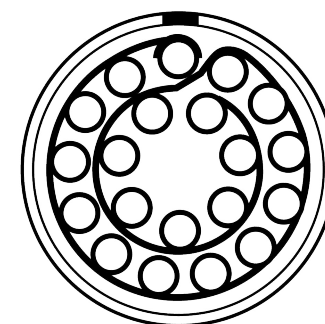
Insert Configuration
Front View



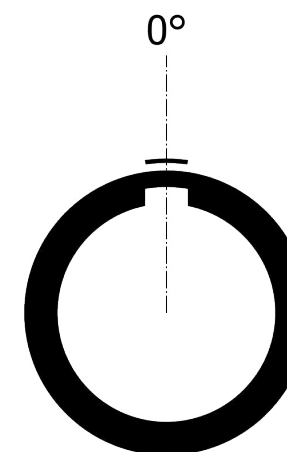
Alignment Key
Front View



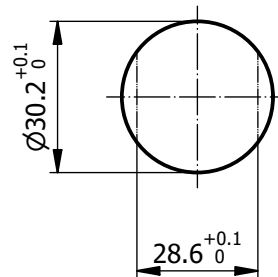
Insert Configuration
Rear View



Alignment Key
Rear View



Recommended Panel Cut-Out



Mounting nut torque (Nm)
Metal shell = 17.0

Note:

1) This picture is generic and for illustrative purposes only, and may show different keying, materials, colour, finish, and contact configuration. Minor shape or feature variations to actual item may be present.

All additional information are documented on the datasheet (See below link or QR Code)
www.lemo.com/pdf/SLG.4K.320.CLAPV.pdf

Model	Alignment Key	Series	Insert Config.	Housing	Insulator	Contact	Variant
SLG	.4K	.320	.CLAPV				

Datasheet



Fixed coupler, nut fixing
Series 4K

LEMO
LEMO SA
Chemin des Champs-Courbes 28
1024 Ecublens - SWITZERLAND

Tel. (+41) 21 695 16 00
email : info@lemo.com
www.lemo.com

CD

Drawn	26.11.2021	TCIT / TCIT
Checked	26.11.2021	OBAR
Modified	00	26.11.2021 / TCIT
DO NOT SCALE DRAWING		

SLG.4K.320.CLAPV